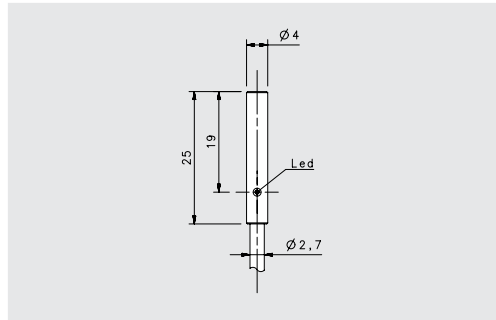


# STAINLESS STEEL M4



## STANDARD

FLUSH

cable

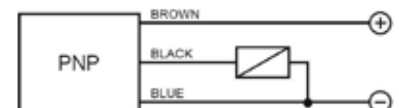
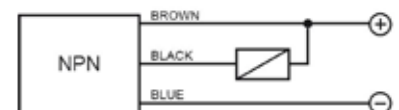
### NOMINAL SWITCHING DISTANCE

0,8 mm

| 10-30 Vdc       | PNP/NPN<br>NO-NC  | 4 wires  | order No. | ---                      |
|-----------------|-------------------|----------|-----------|--------------------------|
| 10-30 Vdc       | PNP<br>NO         | 3 wires  | order No. | IS-04-A1-03<br>95B061011 |
| 10-30 Vdc       | PNP<br>NC         | 3 wires  | order No. | ---                      |
| 10-30 Vdc       | NPN<br>NO         | 3 wires  | order No. | IS-04-A3-03<br>95B061001 |
| 10-30 Vdc       | NPN<br>NC         | 3 wires  | order No. | ---                      |
| 10-30 Vdc       | PNP<br>NO-NC      | 4 wires  | order No. | ---                      |
| 10-30 Vdc       | NPN<br>NO-NC      | 4 wires  | order No. | ---                      |
| 10-30 Vdc       | NO-NC             | 2 wires  | order No. | ---                      |
| 20-250 Vac/Vdc  | NO                | 2 wires  | order No. | ---                      |
| 20-250 Vac/Vdc  | NC                | 2 wires  | order No. | ---                      |
| 20-250 Vac      | NO                | 2/3wires | order No. | ---                      |
| 10-30 Vdc       | Analog<br>0-20 mA | 3 wires  | order No. | ---                      |
| NAMUR amplifier | NAMUR             | 2 wires  | order No. | ---                      |

|                           |  |
|---------------------------|--|
| Nominal Voltage           | 10-30 Vdc (-15/10%)                          |
| Residual Ripple           | < 10%  |
| Hysteresis                | < 15%  |
| Max. Output Current       | 100 mA                                       |
| Min. Output Current       | ---  |
| Residual Current          | < 0,01 mA                                    |
| Voltage Drop              | < 1,5 V                                      |
| Operation Led             | Yellow                                       |
| Switching Frequency       | 2000 Hz                                      |
| Start Up Delay            | ---  |
| Repeatability             | < 1%   |
| Short Circuit Protection  | Present (self-resetting)                     |
| Electric Protection       | Against polarity reversal<br>inductive loads |
| Temperature Limit         | (-25 ... +70 °C)                             |
| Protection Degree         | IP69K  |
| Cable Length              | 2 m (PUR)                                    |
| Cable Section             | 3x 0,15 mm <sup>2</sup>                      |
| Housing Material          | Stainless-Steel                              |
| Weight - Cable Output     | 50 g   |
| Weight - Connector Output | ---  |

3 wires PNP or NPN



M8 3 pole



### CONTACTS CONFIGURATION

| Available | Contacts numbers |      |       |
|-----------|------------------|------|-------|
|           | 1                | 3    | 4     |
| PNP/PNP   | BROWN            | BLUE | BLACK |
|           | +                | -    | NO/NC |