

# MQ0/00-0E

cylindrical photosensors

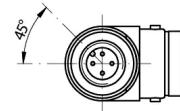
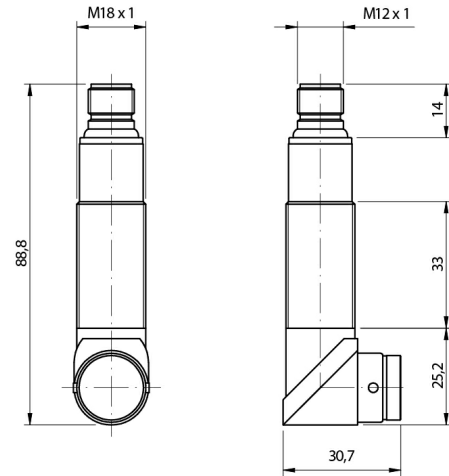


Micro Detectors

Italian Sensors Technology



Indicative image



## Detection properties

Nominal sensing distance	50mm
Thermal drift of Sr	≤ 10%
Repeat Accuracy	5%
Sensitivity adjustment	No

## Application

Function Principle	Background suppression
Optic position	Radial

## Outputs

Output type	TRIAC
Output Function	LO/DO selectable
Switching frequency	25Hz

## Electrical data

Operating Voltage	20...235Vac/50-60Hz
No-Load supply current	≤40mARMS
Load current	5...300mARMS
Leakage current	≤1,5mARMS IL=250Vca

Output voltage drop	≤3V IL=300mA
LED indicators	Yellow(light output status)
Time delay before availability	200ms
Emission	Infrared (880nm)
Interference to external light	3.000lux (incandescent lamp), 10.000lux (sunlight)
Impulsive Overvoltage Protection	Yes

## Mechanical data

Dimensions	M18x1/L=88,8mm
Weight	30g
Housing Material	PBT
Connections	M12 plug cable exit
Active Head Material	PMMA
Tightening torque	1Nm
Operating temperature	- 25°C...+ 70° C (without freeze)
Storage temperature	- 55°C...+80°C

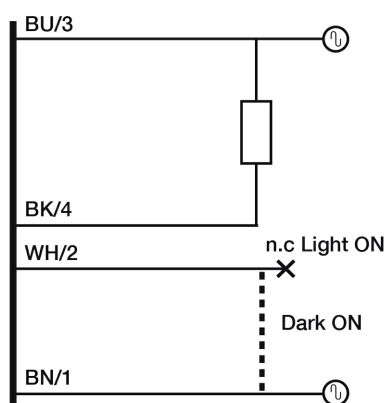
## Test/Approvals

Approvals	CE, cRUus
EMC compatibility	EN 50082-2;EN 60947-5-2;EN50081-1
Shocks and vibrations	Vibration IEC 60068-2-6 / Shock IEC 60068-2-27
Degree of protection	IP67

## Accessories

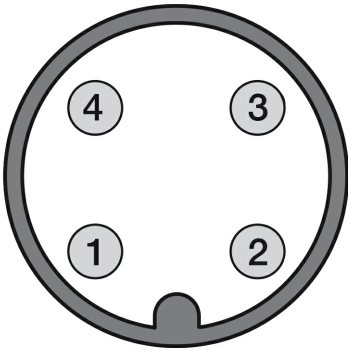
Supplied Accessories	Metallic nut (2x)
----------------------	-------------------

# ELECTRICAL DIAGRAMS OF THE CONNECTIONS



# CONNECTOR

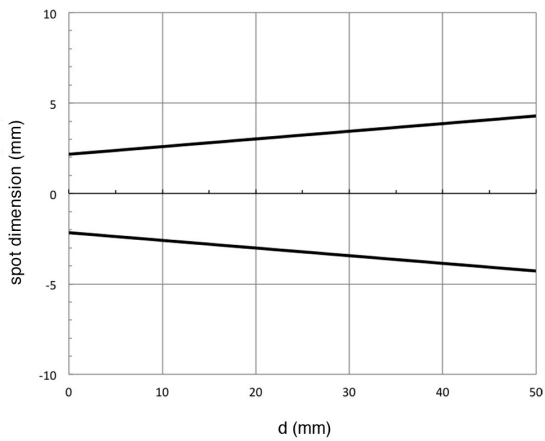
---



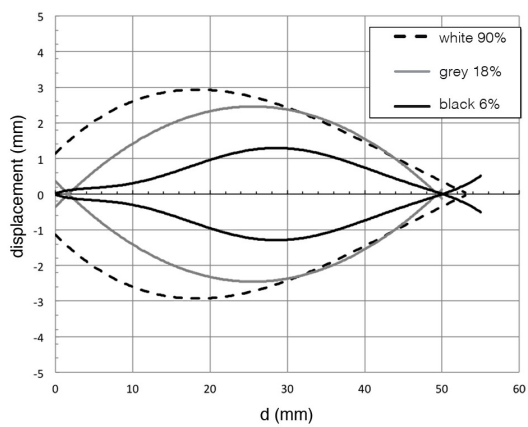
## RESPONSE CURVES

---

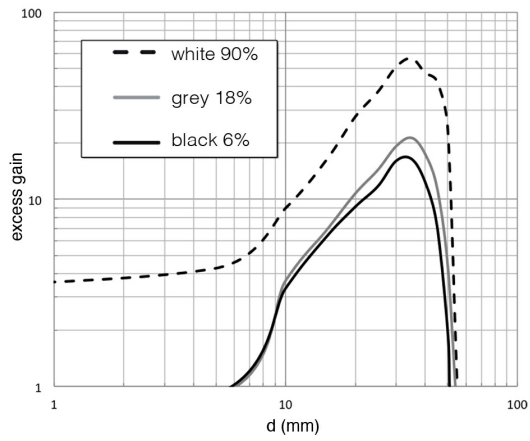
### Dimensione Spot



### Disassamento Parallelo



# Eccesso di Guadagno



**M.D. Micro Detectors S.p.A.**

Strada S. Caterina, 235

41122 Modena (MO)

Tel. 059 420411

Fax 059 253973

E-mail [info@microdetectors.com](mailto:info@microdetectors.com)

**date of printing**

18/07/2019 12:00:47