

Time delay before availability	100ms
Short-circuit protection	Yes, autoreset
Reverse Polarity Protection	Yes
Impulsive Overvoltage Protection	Yes

Mechanical data

Dimensions	M30 / L = 87mm
Mounting	Shielded
Weight	260g
Housing Material	nickel brass
Connections	2m PVC cable
Active Head Material	PBT
Tightening torque	50Nm
Operating temperature	-25°C...+70°C

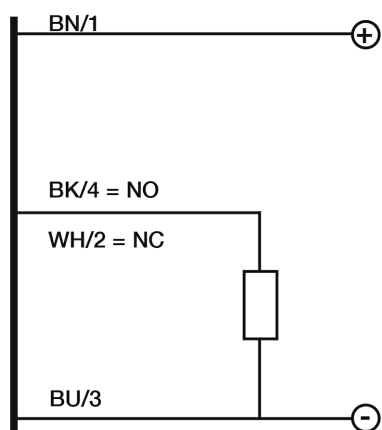
Test/Approvals

Approvals	CE cULus
EMC compatibility	IEC 60947-5-2
Shocks and vibrations	Vibration IEC 60068-2-6 / Shock IEC 60068-2-27
Degree of protection	IP 65

Accessories

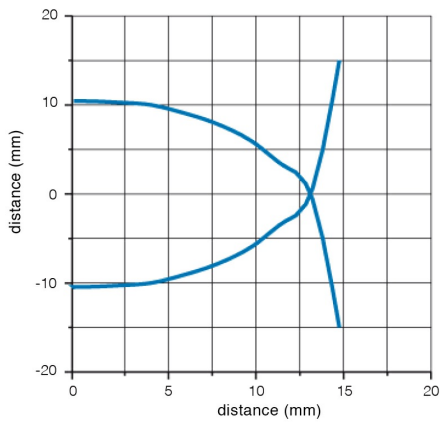
Supplied Accessories screw driver, 2 x M30 nuts

ELECTRICAL DIAGRAMS OF THE CONNECTIONS

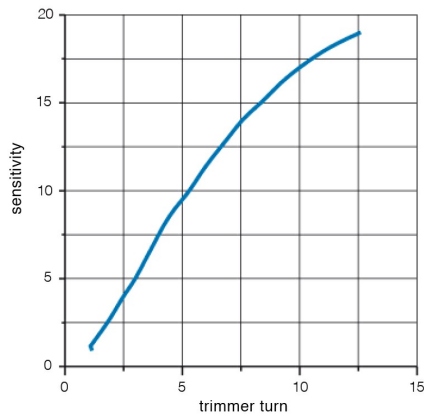


RESPONSE CURVES

Area di rilevamento



Regolazione della sensibilità



M.D.Micro Detectors S.p.A.

Strada S.Caterina, 235
41122 Modena (MO)
Tel. 059 420411
Fax 059 253973
E-mail info@microdetectors.com

date of printing

25/10/2019 10:00:19