



# GIOVENZANA

INTERNATIONAL B.V.



LIFT



**PIT BOTTOM, RECALL DRIVE CONTROL UNITS  
AND CAR TOP INSPECTION BOXES - GM Series**

**GMO1FN3                      IP65 ☐**  
**GMO1RN3A**  
**GMO1RN3A.1A**



**DESCRIPTION                      SCHEME**

**Alarm push button  
station CE 95/16**

Push button Ø 40  
momentary (GMO1FN3)



Flush push button Ø 40  
momentary (GMO1RN3A)



Flush push button Ø 40  
momentary (GMO1RN3A.1A)



**CONTACT BLOCKS**

Rated operating voltage Ue [V]: 690  
Rated insulation voltage Ui [V]: 690  
Rated impulse withstand voltage Uimp [kV]: 4  
Rated thermal current Ith [A]: 16  
Rated thermal current Ithe [A]: 16  
Frequency [Hz]: 50/60  
Rated operating current: AC 15 – DC 13

**GMO1P4NP - GMO1P4SP                      IP65 ☐**  
**GMO1R4NP - GMO1R4N**



**DESCRIPTION                      SCHEME**

**E-stop push button  
station EN ISO 13850**

Mushroom Ø 40 push-pull with  
4 sectors shock protected  
1NO-1NC  
(GMO1P4NP - GMO1P4SP)



Mushroom Ø 40 push-pull with 4  
sectors shock protected 1NC  
(GMO1R4NP - GMO1R4N)



**CONTACT BLOCKS**

Rated operating voltage Ue [V]: 690  
Rated insulation voltage Ui [V]: 690  
Rated impulse withstand voltage Uimp [kV]: 4  
Rated thermal current Ith [A]: 16  
Rated thermal current Ithe [A]: 16  
Frequency [Hz]: 50/60  
Rated operating current: AC 15 – DC 13

**GM353                                      IP65 ☐**



**DESCRIPTION                      SCHEME**

**Pit bottom switch  
with knob Ø 35**

Cam switch 0-1 90° switching  
1NO



**CAM SWITCHES**

Rated operating voltage Ue [V]: 690  
Rated insulation voltage Ui [V]: 690  
Rated impulse withstand voltage Uimp [kV]: 4  
Rated thermal current Ith [A]: 20  
Rated thermal current in enclosure Ithe [A]: 16  
Frequency [Hz]: 50/60





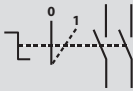
**GM355**

**IP65** □

**DESCRIPTION**

**Pit bottom switch  
with knob Ø 35**

Cam switch 0-1 90° switching  
2NO



**SCHEME**

**CAM SWITCHES**

Rated operating voltage  $U_e$  [V]: 690  
 Rated insulation voltage  $U_i$  [V]: 690  
 Rated impulse withstand voltage  $U_{imp}$  [kV]: 4  
 Rated thermal current  $I_{th}$  [A]: 20  
 Rated thermal current in enclosure  $I_{the}$  [A]: 16  
 Frequency [Hz]: 50/60



**GM354  
GM356**

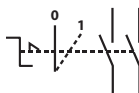
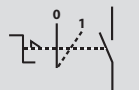
**IP65** □

**DESCRIPTION**

**Pit switch**

With handle locked  
in stop position - 1NO  
(GM354)

With handle locked  
in stop position - 2NO  
(GM356)



**SCHEME**

**CAM SWITCHES**

Rated impulse withstand voltage  $U_{imp}$  [kV]: 4  
 Rated thermal current in enclosure  $I_{the}$  [A]: 16  
 Rated thermal current  $I_{th}$  [A]: 20  
 Rated operating voltage  $U_e$  [V]: 690  
 Rated insulation voltage  $U_i$  [V]: 690  
 Frequency [Hz]: 50/60



**GM092**

**IP65** □

**DESCRIPTION**

**Door opener  
control station**

Cam switch 1 - 0 - 2  
spring return to the center



**SCHEME**

**CAM SWITCHES**

Rated operating voltage  $U_e$  [V]: 690  
 Rated insulation voltage  $U_i$  [V]: 690  
 Rated impulse withstand voltage  $U_{imp}$  [kV]: 4  
 Rated thermal current  $I_{th}$  [A]: 20  
 Rated thermal current in enclosure  $I_{the}$  [A]: 16  
 Frequency [Hz]: 50/60



## PIT BOTTOM, RECALL DRIVE CONTROL UNITS AND CAR TOP INSPECTION BOXES - GM Series

### GM406/EU

IP54



#### DESCRIPTION

Emergency stop EN ISO 13850 mushroom Ø 40 push-pull with vision:

1 Schuko socket outlet 16A

#### SCHEME



#### CONTACT BLOCKS

Rated operating voltage  $U_e$  [V]: 690  
 Rated insulation voltage  $U_i$  [V]: 690  
 Rated impulse withstand voltage  $U_{imp}$  [kV]: 4  
 Rated thermal current  $I_{th}$  [A]: 16  
 Rated thermal current  $I_{the}$  [A]: 16  
 Frequency [Hz]: 50/60  
 Rated operating current: AC 15 – DC 13

1 Cenelec socket outlet



**GM407**

1 USA socket outlet



**GM408**

1 Swiss socket outlet



**GM408/SW**

1 UK standard socket outlet



**GM408/UK**

1 Australia-China socket outlet



**GM408/CH**

### GM401

IP54



#### DESCRIPTION

Emergency stop EN ISO 13850 mushroom Ø 40 push-pull with vision:

1 Alarm push button - 1NO



#### SCHEME



#### CONTACT BLOCKS

Rated operating voltage  $U_e$  [V]: 690  
 Rated insulation voltage  $U_i$  [V]: 690  
 Rated impulse withstand voltage  $U_{imp}$  [kV]: 4  
 Rated thermal current  $I_{th}$  [A]: 16  
 Rated thermal current  $I_{the}$  [A]: 16  
 Frequency [Hz]: 50/60  
 Rated operating current: AC 15 – DC 13

1 Schuko socket outlet 16A



1 Cenelec socket outlet



**GM401/FR**

1 USA socket outlet



**GM401/US**

1 Swiss socket outlet



**GM401/SW**

1 UK standard socket outlet



**GM401/UK**

1 Australia-China socket outlet



**GM401/CH**





## GM403A

IP54

DESCRIPTION	SCHEME
<b>Emergency stop EN ISO 13850 mushroom Ø 40 push-pull with vision:</b>	
1 knob selector 0 - 1 to 90°	
1 Schuko socket outlet 16A	
1 Cenelec socket outlet	
1 USA socket outlet	
1 Swiss socket outlet	
1 UK standard socket outlet	
1 Australia-China socket outlet	

### CONTACT BLOCKS

Rated operating voltage  $U_e$  [V]: 690  
 Rated insulation voltage  $U_i$  [V]: 690  
 Rated impulse withstand voltage  $U_{imp}$  [kV]: 4  
 Rated thermal current  $I_{th}$  [A]: 16  
 Rated thermal current  $I_{the}$  [A]: 16  
 Frequency [Hz]: 50/60  
 Rated operating current: AC 15 – DC 13

**GM403/FR**

**GM403/US**

**GM403/SW**

**GM403/UK**

**GM403/CH**



## GM421

IP54

DESCRIPTION	SCHEME
<b>Emergency stop EN ISO 13850 mushroom Ø 40 push-pull with vision:</b>	
1 Alarm lighted push button - 1 NO	
1 Cenelec socket outlet	
1 Schuko socket outlet 16A	
1 USA socket outlet	
1 Swiss socket outlet	
1 UK standard socket outlet	
1 Australia-China socket outlet	

### CONTACT BLOCKS

Rated operating voltage  $U_e$  [V]: 690  
 Rated insulation voltage  $U_i$  [V]: 690  
 Rated impulse withstand voltage  $U_{imp}$  [kV]: 4  
 Rated thermal current  $I_{th}$  [A]: 16  
 Rated thermal current  $I_{the}$  [A]: 16  
 Frequency [Hz]: 50/60  
 Rated operating current: AC 15 – DC 13

**GM421/EU**

**GM421/US**

**GM421/SW**

**GM421/UK**

**GM421/CH**



## PIT BOTTOM, RECALL DRIVE CONTROL UNITS AND CAR TOP INSPECTION BOXES - GM Series

### GM491

IP54

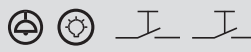


#### DESCRIPTION

**Emergency stop EN ISO 13850 mushroom Ø 40 push-pull with vision:**

1 dual push button  
Alarm - Light 1NO+1NO

#### SCHEME



1 Schuko socket outlet 16A



1 Cenelec socket outlet



1 USA socket outlet



1 Swiss socket outlet



1 UK standard socket outlet



1 Australia-China socket outlet



#### CONTACT BLOCKS

Rated operating voltage  $U_e$  [V]: 690  
 Rated insulation voltage  $U_i$  [V]: 690  
 Rated impulse withstand voltage  $U_{imp}$  [kV]: 4  
 Rated thermal current  $I_{th}$  [A]: 16  
 Rated thermal current  $I_{the}$  [A]: 16  
 Frequency [Hz]: 50/60  
 Rated operating current: AC 15 – DC 13

### GM492

#### GM492/US

#### GM492/SW

#### GM492/UK

#### GM492/CH



### GM419

IP65

#### DESCRIPTION

**Buzzer AC/DC 12-24V with:**

1 Red led Light

1 Green led light

#### SCHEME



### GM219

IP65



#### DESCRIPTION

**Advising LED lights AC/DC 12-24V with:**

1 Green led Light

1 Red led light

#### SCHEME





**PENDANT STATIONS - TLP Series**

**TLP1.EPP**

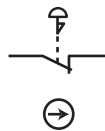
**IP65** 



**DESCRIPTION**

Emergency stop  
EN-ISO 13850  
Ø 40 to push-pull  
with 1 contact block NC

**SCHEME**



**CONTACT BLOCKS**

Rated operating voltage  $U_e$  [V]: 690  
Rated insulation voltage  $U_i$  [V]: 690  
Rated impulse withstand voltage  $U_{imp}$  [kV]: 4  
Rated thermal current  $I_{th}$  [A]: 16  
Rated thermal current  $I_{the}$  [A]: 16  
Frequency [Hz]: 50/60  
Rated operating current: AC 15 – DC 13

**TLP1.VPP**

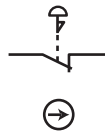
**IP65** 



**DESCRIPTION**

Emergency stop  
EN-ISO 13850  
Ø 40 to push-pull with  
vision contact block NC

**SCHEME**



**CONTACT BLOCKS**

Rated operating voltage  $U_e$  [V]: 690  
Rated insulation voltage  $U_i$  [V]: 690  
Rated impulse withstand voltage  $U_{imp}$  [kV]: 4  
Rated thermal current  $I_{th}$  [A]: 16  
Rated thermal current  $I_{the}$  [A]: 16  
Frequency [Hz]: 50/60  
Rated operating current: AC 15 – DC 13

**TLP1.ESR**

**IP65** 



**DESCRIPTION**

Emergency stop  
EN-ISO 13850  
Ø 40 twist to release  
with 1 contact block NC

**SCHEME**



**CONTACT BLOCKS**

Rated operating voltage  $U_e$  [V]: 690  
Rated insulation voltage  $U_i$  [V]: 690  
Rated impulse withstand voltage  $U_{imp}$  [kV]: 4  
Rated thermal current  $I_{th}$  [A]: 16  
Rated thermal current  $I_{the}$  [A]: 16  
Frequency [Hz]: 50/60  
Rated operating current: AC 15 – DC 13

**TLP1B.AL**

**IP65** 



**DESCRIPTION**

Alarm push button  
mushroom operator  
Ø 40 with 1 contact NO

**SCHEME**



**CONTACT BLOCKS**

Rated operating voltage  $U_e$  [V]: 690  
Rated insulation voltage  $U_i$  [V]: 690  
Rated impulse withstand voltage  $U_{imp}$  [kV]: 4  
Rated thermal current  $I_{th}$  [A]: 16  
Rated thermal current  $I_{the}$  [A]: 16  
Frequency [Hz]: 50/60  
Rated operating current: AC 15 – DC 13



**TLP2**

**IP65**

**DESCRIPTION**

1 Up push button - 1NO



1 Down push button - 1NO



**SCHEME**

**CONTACT BLOCKS**

Rated operating voltage  $U_e$  [V]: 690  
 Rated insulation voltage  $U_i$  [V]: 690  
 Rated impulse withstand voltage  $U_{imp}$  [kV]: 4  
 Rated thermal current  $I_{th}$  [A]: 16  
 Rated thermal current  $I_{the}$  [A]: 16  
 Frequency [Hz]: 50/60  
 Rated operating current: AC 15 – DC 13

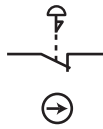


**TLP3.B**

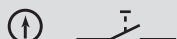
**IP65**

**DESCRIPTION**

**Emergency stop  
 EN ISO 13850  
 Ø 30 twist to release  
 with 1 contact block NC**



1 Up push button - 1NO



1 Down push button - 1NO



**SCHEME**

**CONTACT BLOCKS**

Rated operating voltage  $U_e$  [V]: 690  
 Rated insulation voltage  $U_i$  [V]: 690  
 Rated impulse withstand voltage  $U_{imp}$  [kV]: 4  
 Rated thermal current  $I_{th}$  [A]: 16  
 Rated thermal current  $I_{the}$  [A]: 16  
 Frequency [Hz]: 50/60  
 Rated operating current: AC 15 – DC 13

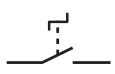


**TLP3.D**

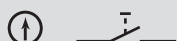
**IP65**

**DESCRIPTION**

**Knob selector with  
 1 NO contact block**



1 Up push button - 1NO



1 Down push button - 1NO



**SCHEME**

**CONTACT BLOCKS**

Rated operating voltage  $U_e$  [V]: 690  
 Rated insulation voltage  $U_i$  [V]: 690  
 Rated impulse withstand voltage  $U_{imp}$  [kV]: 4  
 Rated thermal current  $I_{th}$  [A]: 16  
 Rated thermal current  $I_{the}$  [A]: 16  
 Frequency [Hz]: 50/60  
 Rated operating current: AC 15 – DC 13





**PENDANT STATIONS - TLP Series**



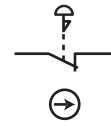
**TLP4.A**

**IP65**

**DESCRIPTION**

**Emergency stop**  
**EN ISO 13850**  
**Ø 30 twist to release**  
**with 1 contact block NC**

**SCHEME**



**CONTACT BLOCKS**

Rated operating voltage  $U_e$  [V]: 690  
Rated insulation voltage  $U_i$  [V]: 690  
Rated impulse withstand voltage  $U_{imp}$  [kV]: 4  
Rated thermal current  $I_{th}$  [A]: 16  
Rated thermal current  $I_{the}$  [A]: 16  
Frequency [Hz]: 50/60  
Rated operating current: AC 15 – DC 13

1 Up push button - 1NO



1 Down push button - 1NO



1 Common push button - 1NO



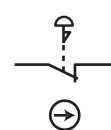
**TLP4**

**IP65**

**DESCRIPTION**

**Emergency stop**  
**EN ISO 13850**  
**Ø 30 twist to release**  
**with 1 contact block NC**

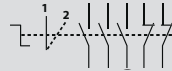
**SCHEME**



**CAM SWITCHES**

Rated operating voltage  $U_e$  [V]: 690  
Rated insulation voltage  $U_i$  [V]: 690  
Rated impulse withstand voltage  $U_{imp}$  [kV]: 4  
Rated thermal current  $I_{th}$  [A]: 20  
Rated thermal current in enclosure  $I_{the}$  [A]: 16  
Frequency [Hz]: 50/60

1 Cam switch 1-2  
90° switching - 3NO+3NC



**CONTACT BLOCKS**

Rated operating voltage  $U_e$  [V]: 690  
Rated insulation voltage  $U_i$  [V]: 690  
Rated impulse withstand voltage  $U_{imp}$  [kV]: 4  
Rated thermal current  $I_{th}$  [A]: 16  
Rated thermal current  $I_{the}$  [A]: 16  
Frequency [Hz]: 50/60  
Rated operating current: AC 15 – DC 13

1 Up push button - 1NO



1 Down push button - 1NO



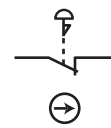
**TLP5**

**IP65**

**DESCRIPTION**

**Emergency stop**  
**EN ISO 13850**  
**Ø 40 push-pull**  
**with 1 contact block NC**

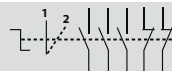
**SCHEME**



**CAM SWITCHES**

Rated operating voltage  $U_e$  [V]: 690  
Rated insulation voltage  $U_i$  [V]: 690  
Rated impulse withstand voltage  $U_{imp}$  [kV]: 4  
Rated thermal current  $I_{th}$  [A]: 20  
Rated thermal current in enclosure  $I_{the}$  [A]: 16  
Frequency [Hz]: 50/60

1 Cam switch 1-2  
90° switching - 3NO+3NC



**CONTACT BLOCKS**

Rated operating voltage  $U_e$  [V]: 690  
Rated insulation voltage  $U_i$  [V]: 690  
Rated impulse withstand voltage  $U_{imp}$  [kV]: 4  
Rated thermal current  $I_{th}$  [A]: 16  
Rated thermal current  $I_{the}$  [A]: 16  
Frequency [Hz]: 50/60  
Rated operating current: AC 15 – DC 13

1 Common push button - 1NO

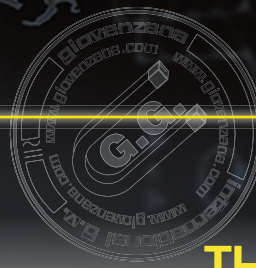


1 Up push button - 2NO



1 Down push button - 2NO

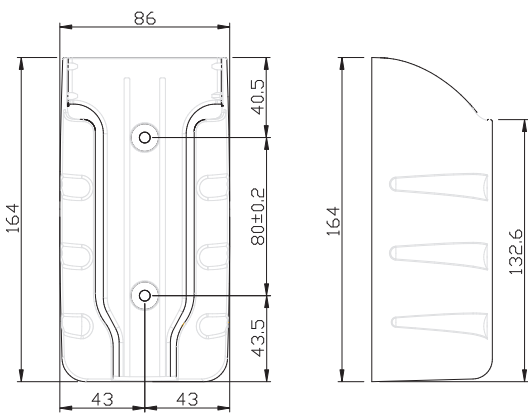




**TLP ACCESSORIES**

**WALL BRACKET CASE**

TLP TYPE	CODE	CHARACTERISTICS
From 1 to 3 buttons	16000061	Polypropylene material Logo mold-printed
From 4 to 5 buttons	16000062	



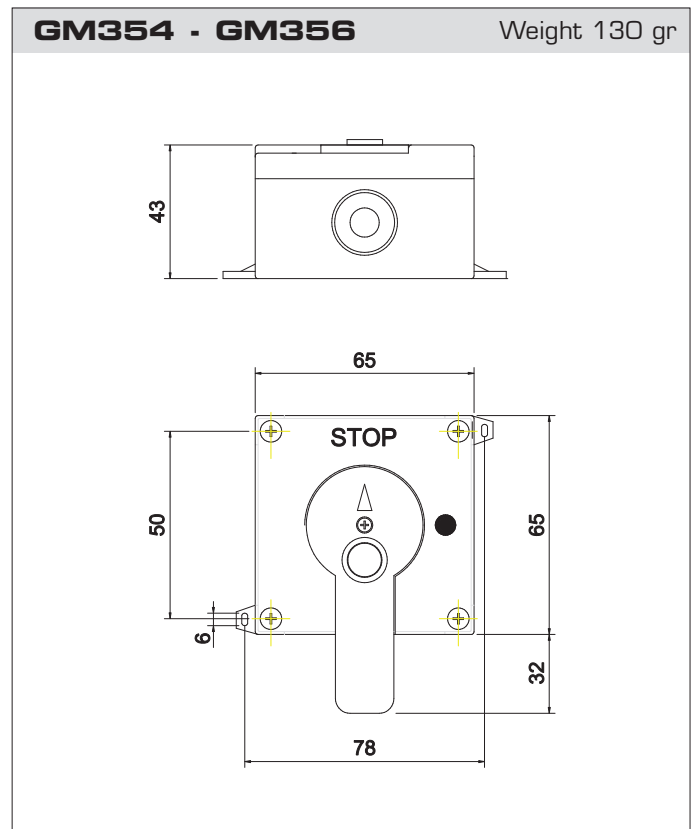
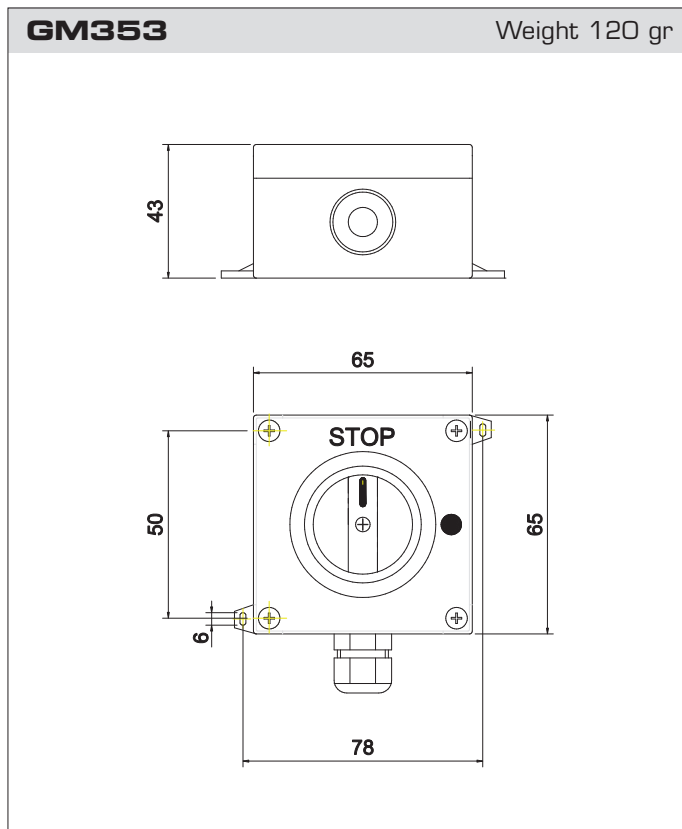
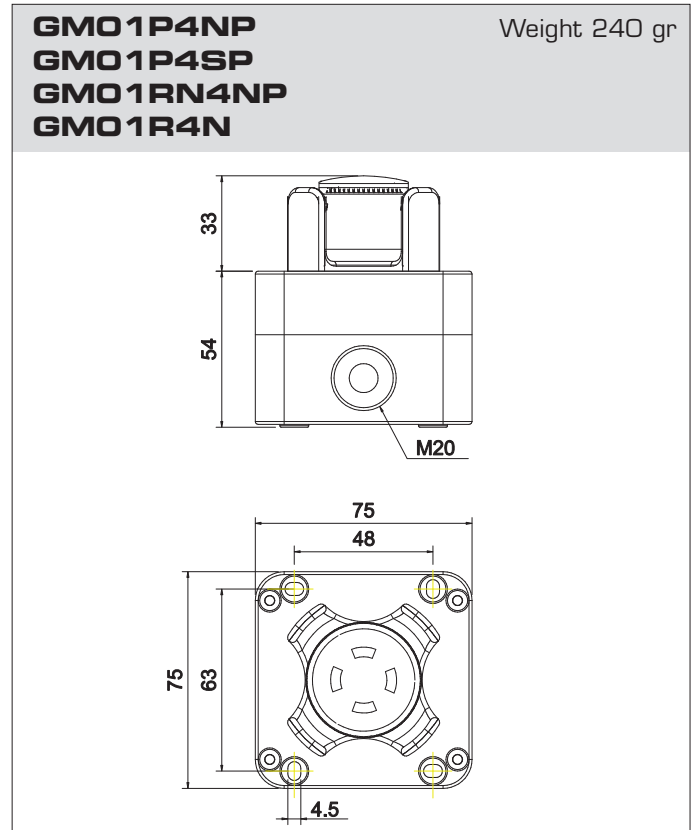
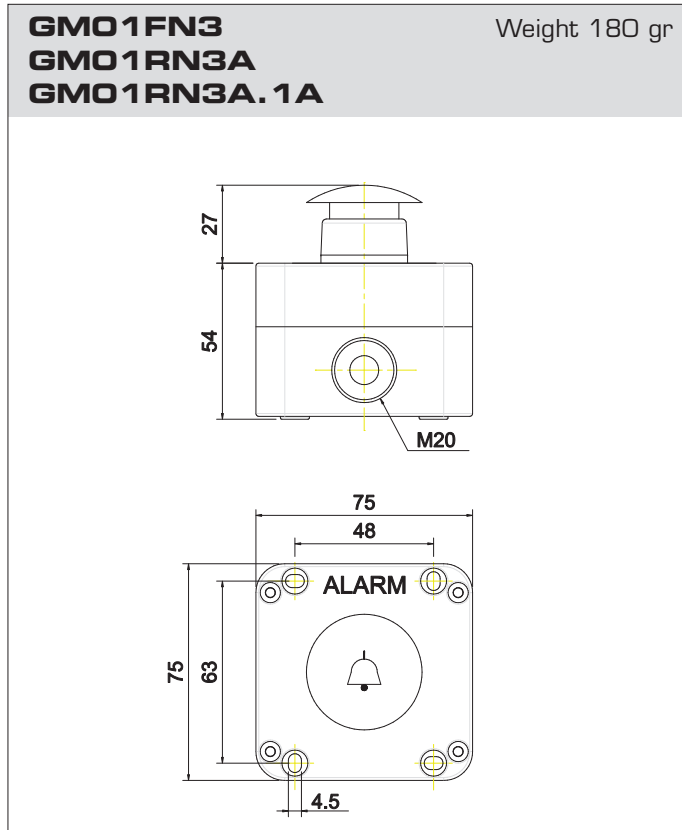
**SPIRAL CABLE GLAND**

DESCRIPTION	CODE	CHARACTERISTICS
Cable gland with spiral flex protector	12901054	Liquid tight strain relief fittings with flex protection made of nylon 6/6 Protection: IP 68 – 10 bar Temperature: - 40/100 °C Material: PA





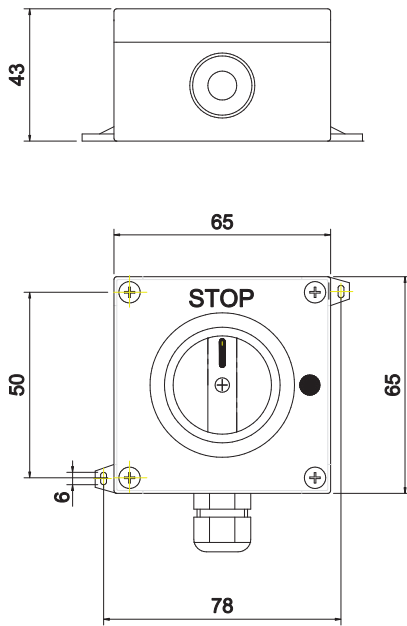
**DIMENSIONS - TECHNICAL DRAWINGS GM Series**





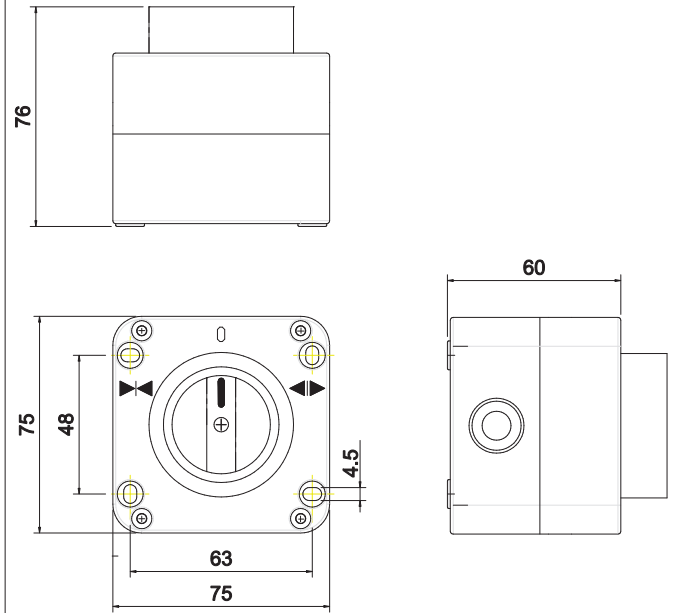
**GM355**

Weight 110 gr



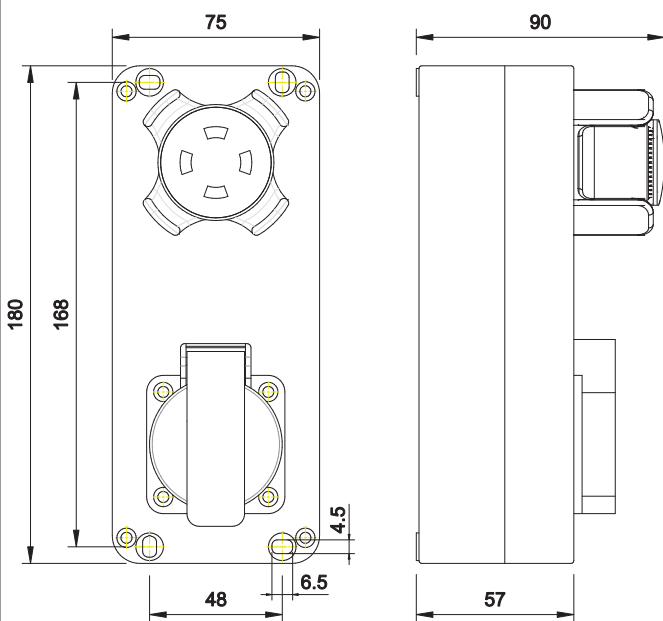
**GM092**

Weight 230 gr



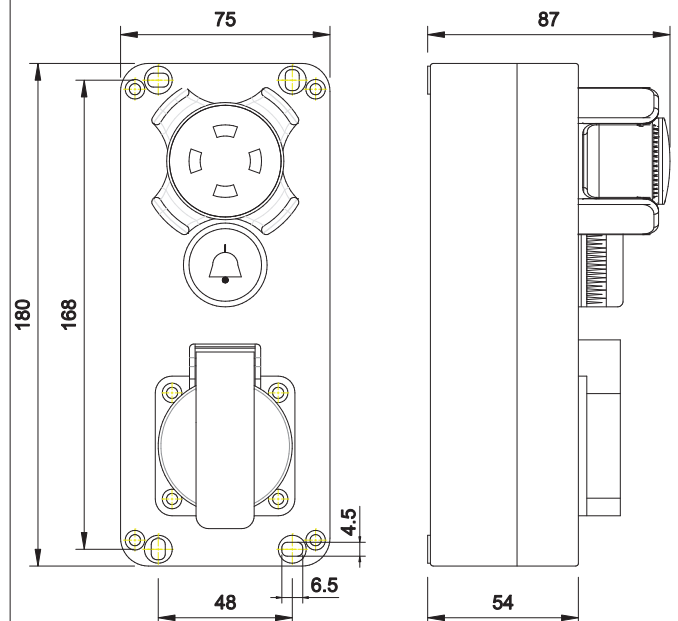
**GM406/EU**

Weight 380 gr



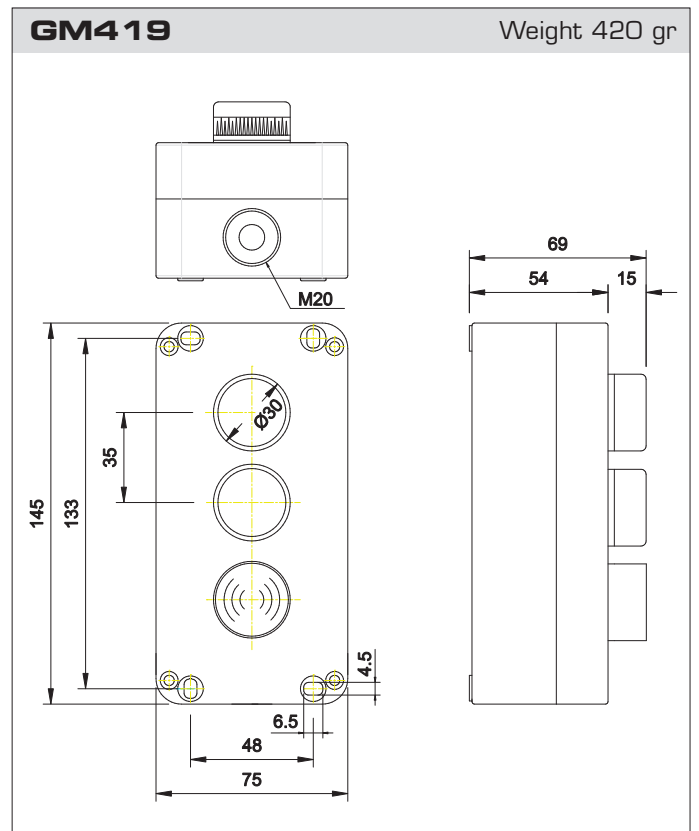
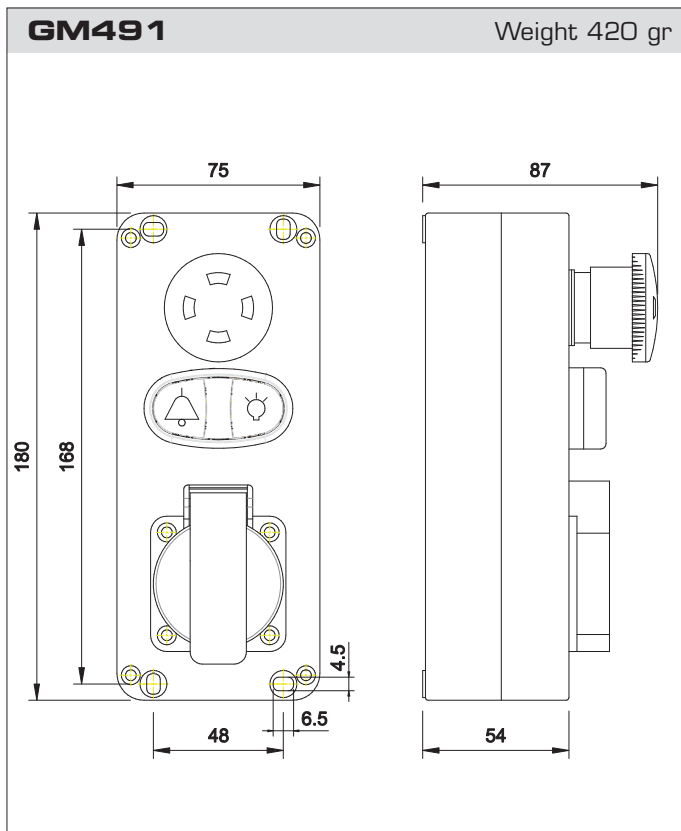
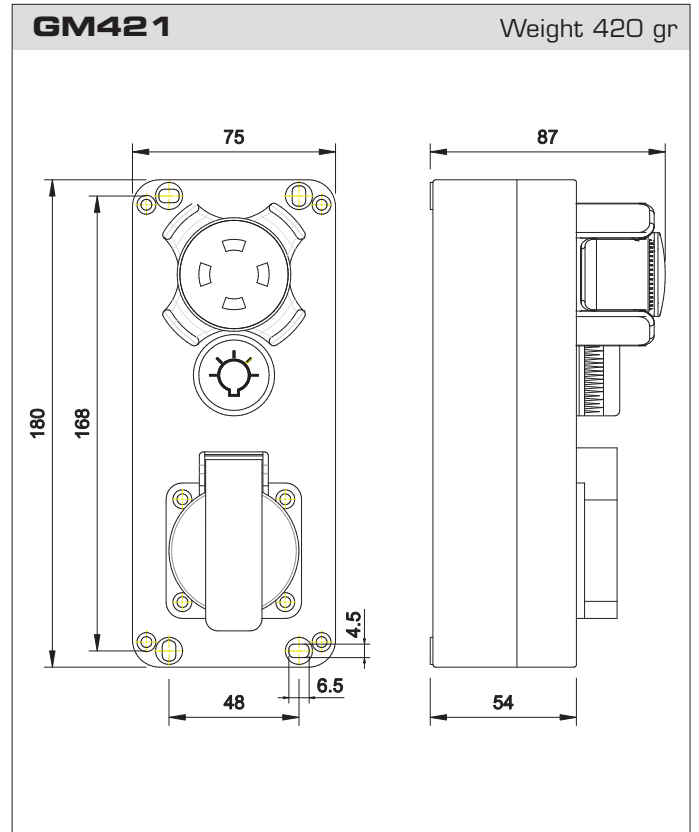
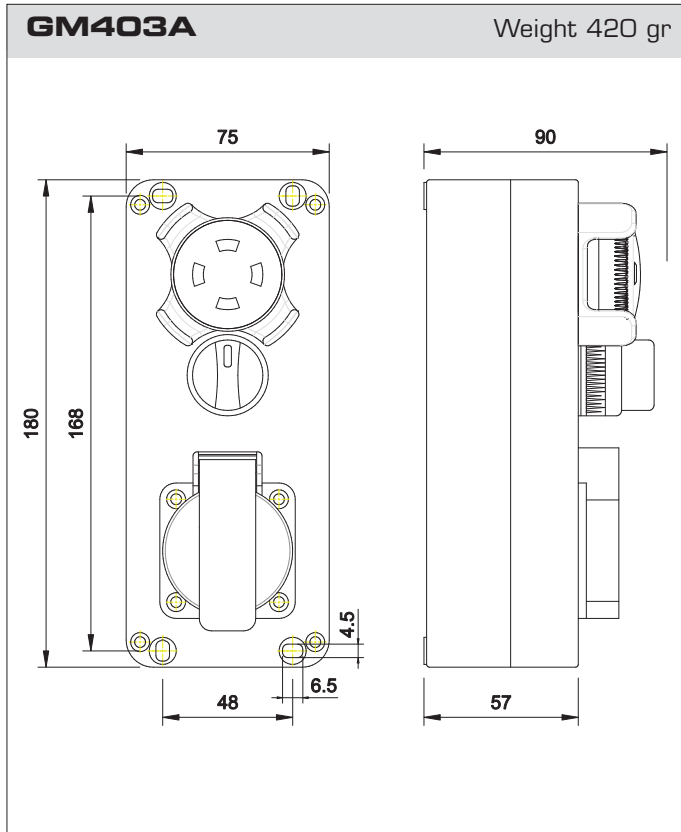
**GM401**

Weight 400 gr





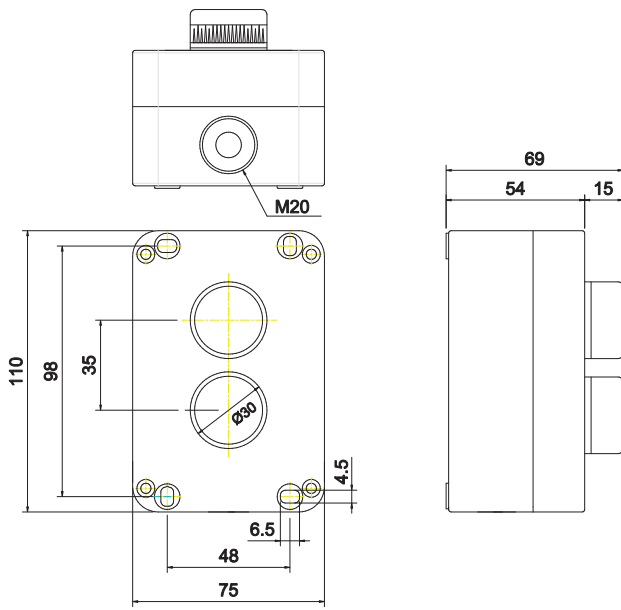
**DIMENSIONS - TECHNICAL DRAWINGS GM Series**





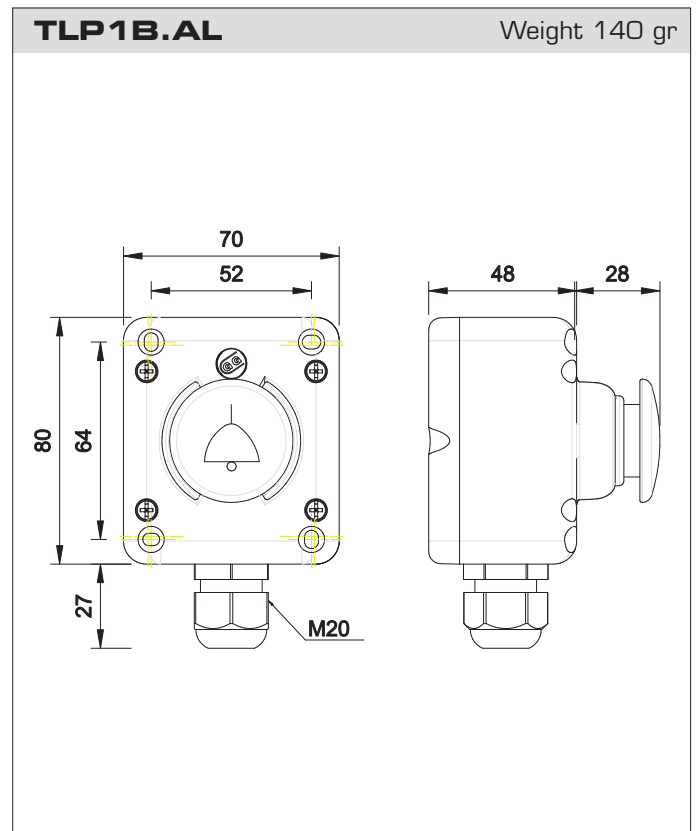
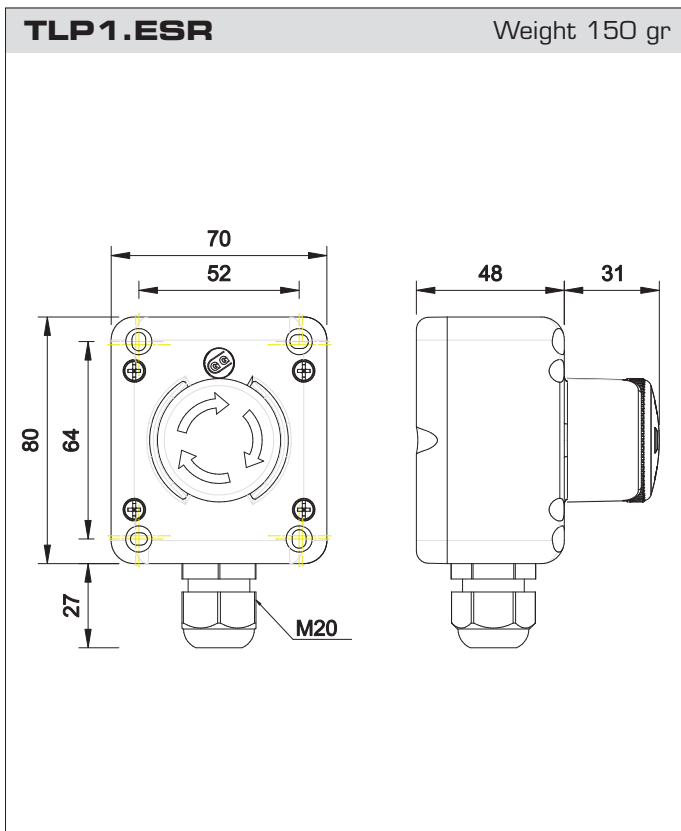
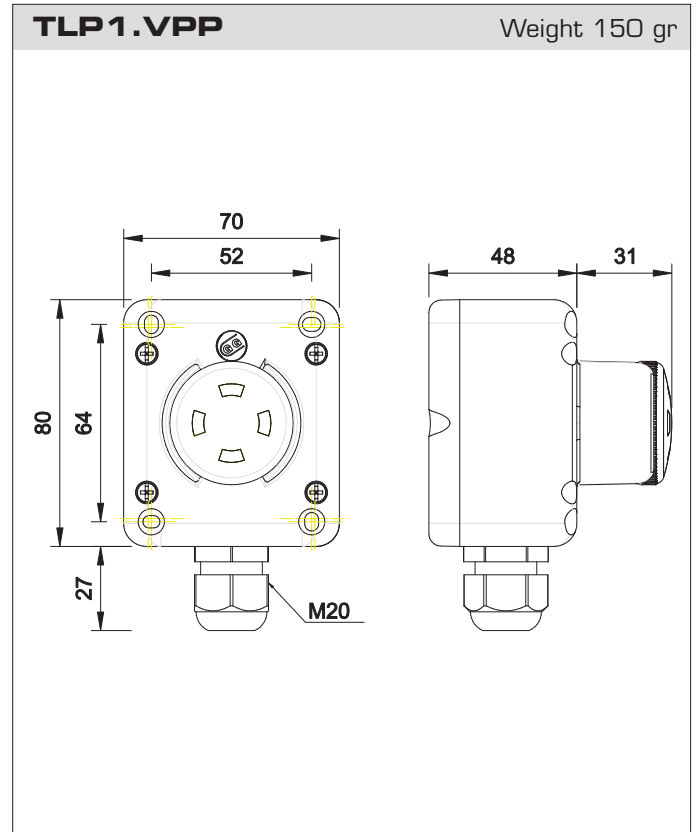
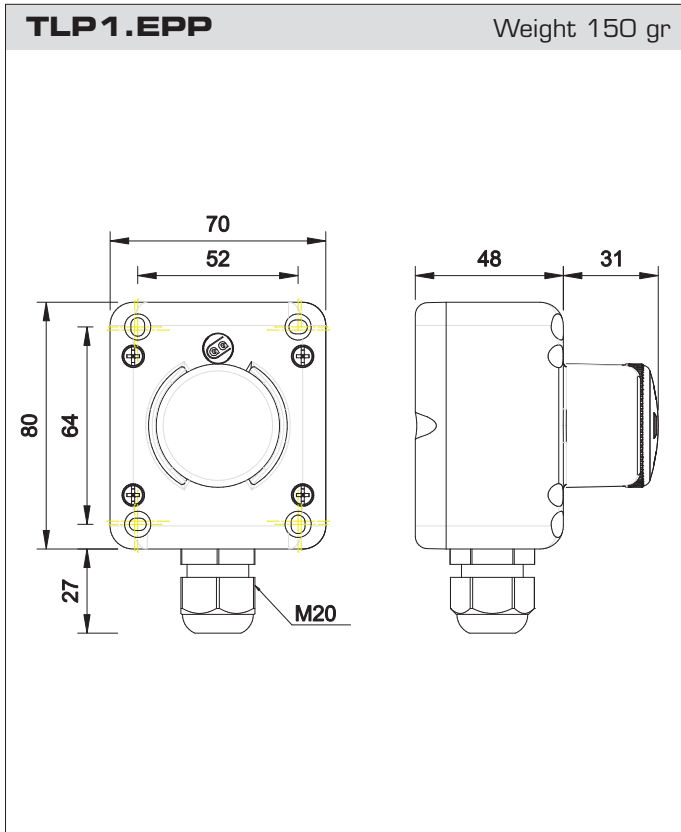
**GM219**

Weight 220 gr

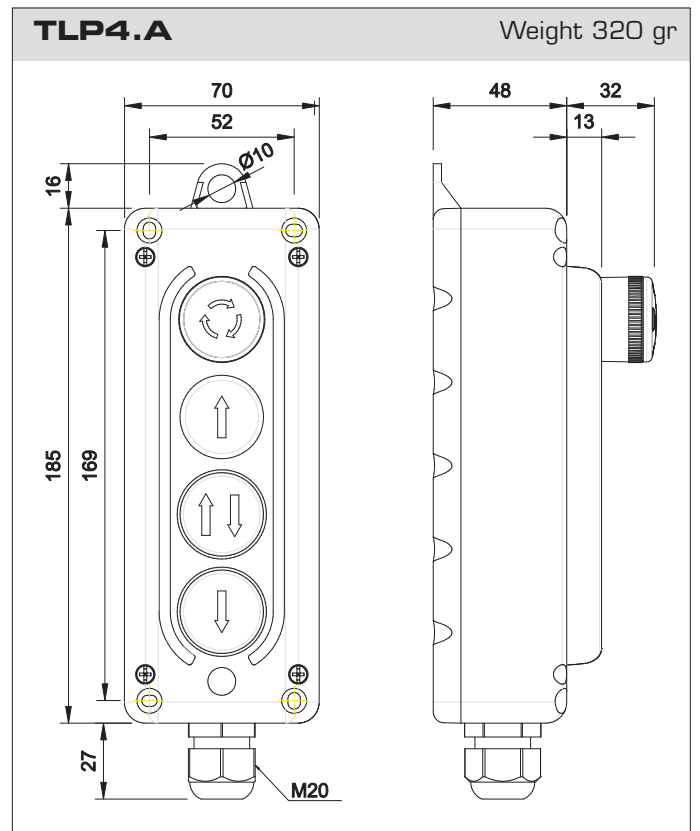
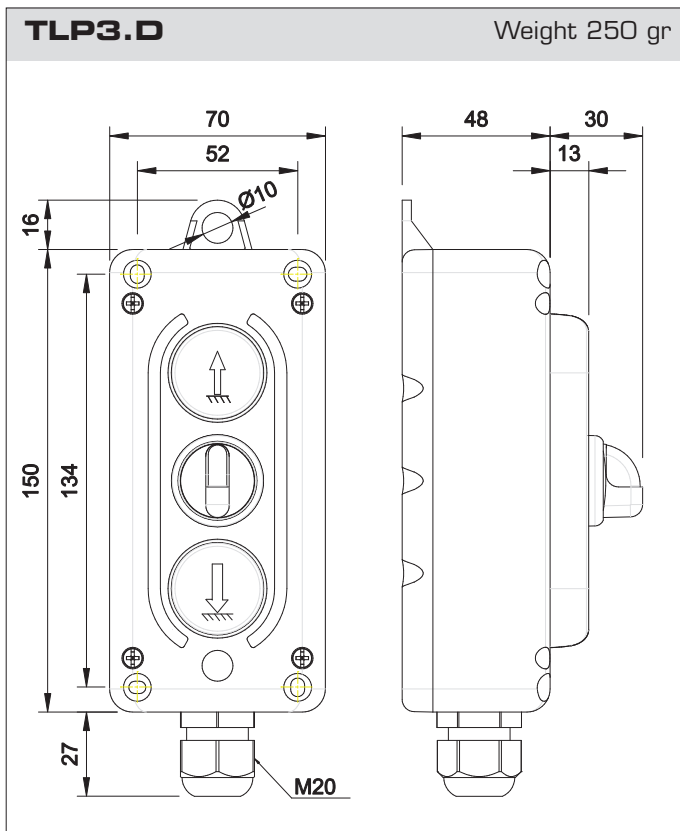
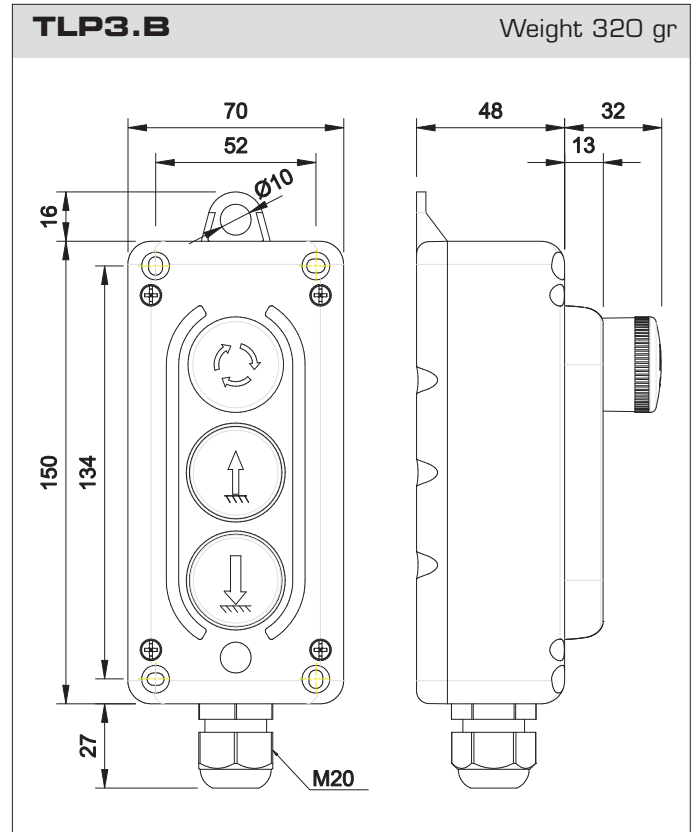
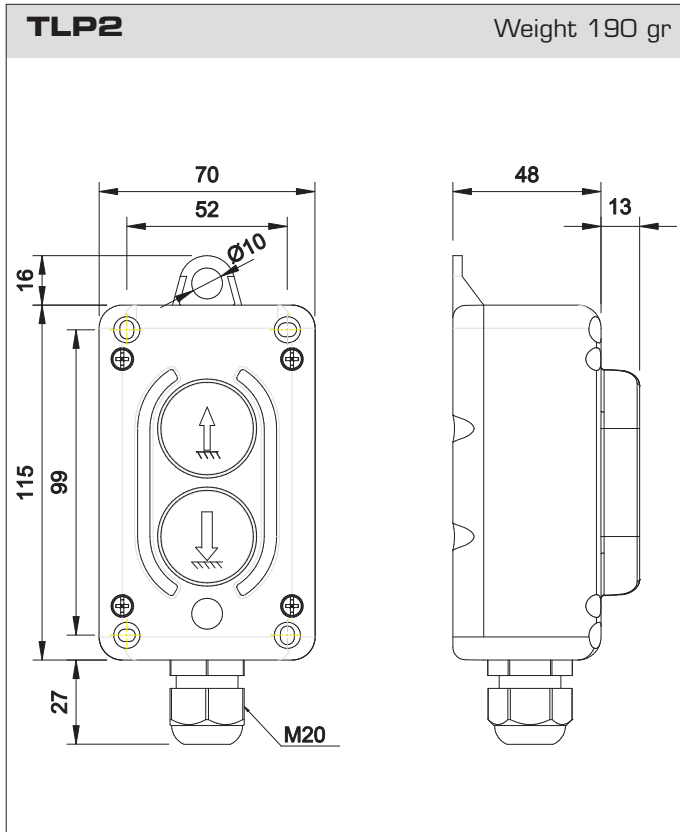




**DIMENSIONS - TECHNICAL DRAWINGS TLP Series**

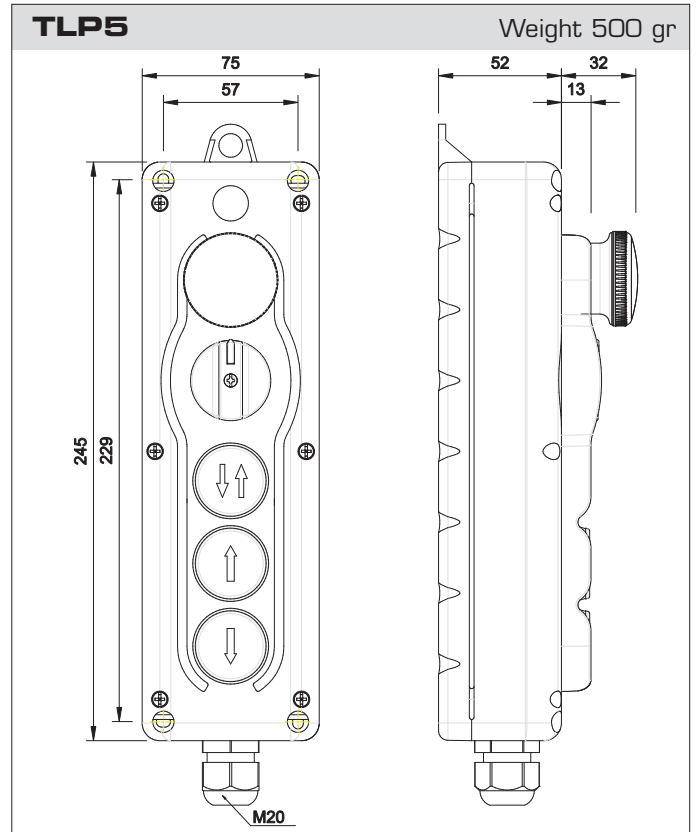
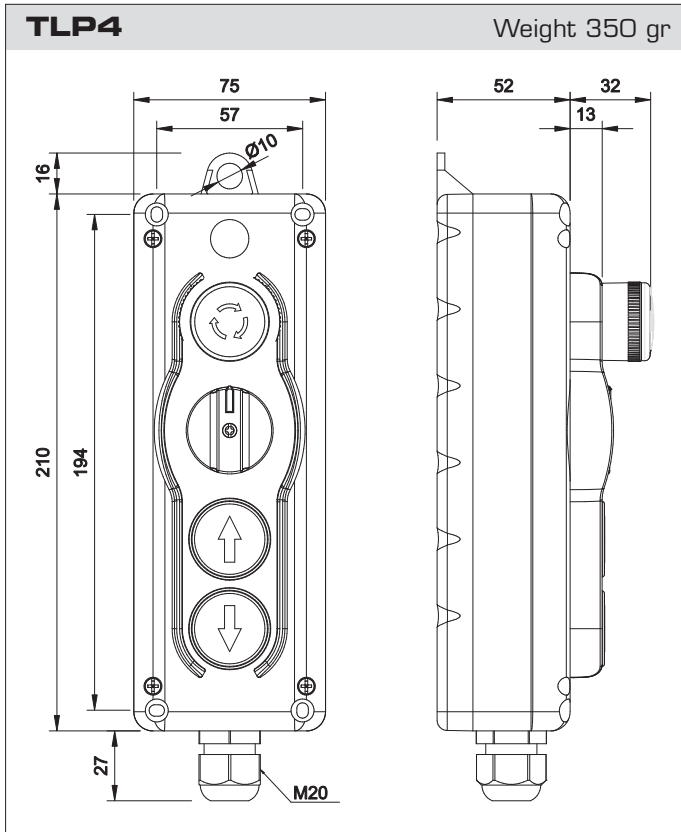








**DIMENSIONS - TECHNICAL DRAWINGS TLP Series**  
**Contact blocks**





**GIOVENZANA INTERNATIONAL B.V.**

1077 XX Amsterdam, The Netherlands  
WTC Strawinskylaan 1105  
Ph. +31(0) 20.4413576 - Fax +31(0) 20.4413456  
e-mail: giovenzana@giovenzana.com

**G.M.K. K.f.t.**

1068 Budapest, Hungary  
Rippl Ronai ut. 13  
Ph. +36.37.572575 - Fax +36.37.572570  
e-mail: gmk@giovenzana.com

**G.T.R. LCC**

Moscow, Russian Federation  
Ulitsa Radio 24, Yauza Tower 4th floor  
Ph. +7.495.6991296 / 6503959 - Fax +7.495.6991520  
e-mail: gtr@giovenzana.com

**GIOVENZANA CONTROLS INDIA Pvt. Ltd.**

Mumbai  
Ph. +91.22.42640071  
e-mail: ggindia@giovenzana.com

**Branch**

**DUBAI** U.A.E. P.O. Box 262146 - J.A.F.Z.A. 15, Jebel Ali Free  
Zone  
Ph. +971.4.8870788 - Fax +971.4.8870787  
e-mail: uae@giovenzana.com